

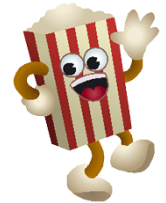


Canada Popcorn Company

**CENTERSTAGE PROFESSIONAL
8 OZ POPCORN MACHINE CART
USER MANUAL**

**HTD CANADA
Item #V574**

www.HTDCANADA.ca



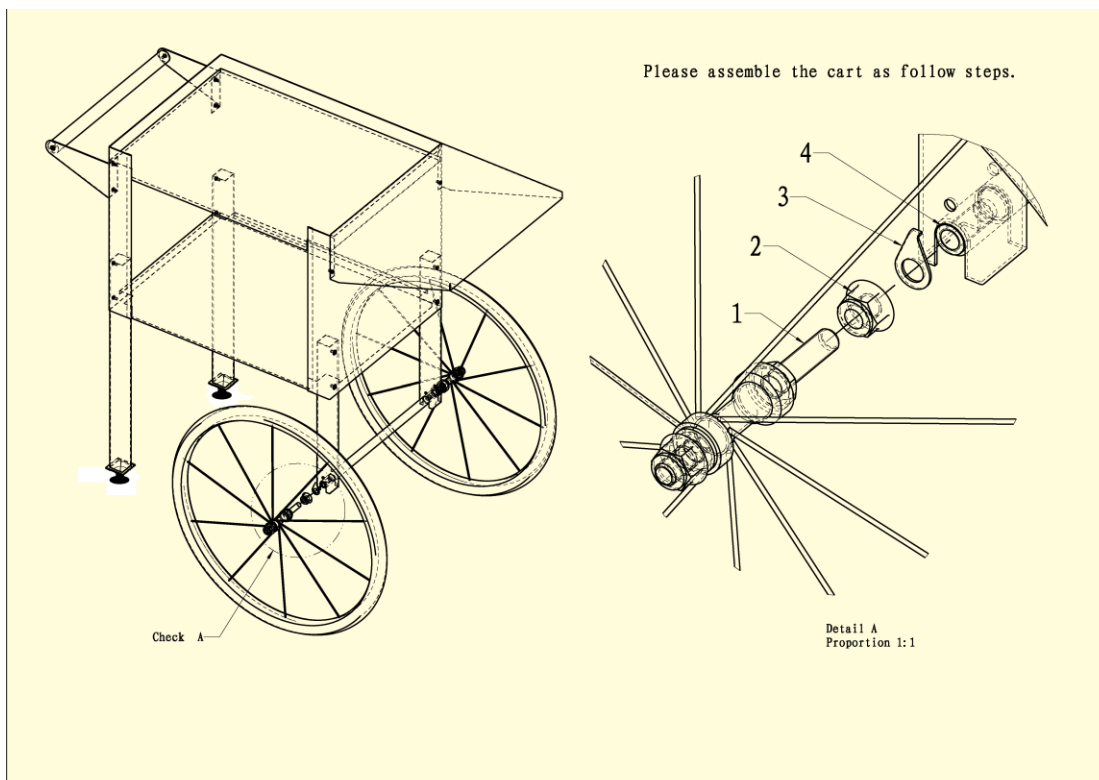
8 OZ PROFESSIONAL POPCORN MACHINE CART

Safety Precautions

1. This manual will outline safety warnings and precautions, operating, maintenance and cleaning. The warnings and instructions reviewed in this manual cannot cover all possible conditions and situations that may occur. Factors such as caution and common sense cannot be built into this product and it is trusted the operator will follow these measures.
2. This cart must never be modified and should only be used for its intended purpose.
3. Always check that this popper is disconnected from the power source prior to moving.
4. If missing or broken components are found, do not attempt to move the popper. Contact HTD Canada at info@htdcanada.ca.
5. This cart should only be used on a level surface and should only be used only with the 8 oz Centerstage Professional Popcorn Machine.

Assembly Instructions

1. Overturn the cart body, and fit the short leg to the cart body.
2. Fit the wheel to axes and fasten to the short leg.
3. Fit the moving wheel to long leg and fasten to cart body.
4. Overturn the cart body back normal and attach the handle.
5. Attach the work platform and adjust the front feet to make your cart level.



Cleaning and Maintenance

** Once you are finished popping please clean the cart with only water and mild detergent.

** Always clean the pot/kettle after every event.

1 Year Parts Warranty

This warranty is not effective if damage occurs because of accident, carelessness, improper installation, lack of proper set-up, supervision when required, or if the equipment is installed or operated in any manner contrary to the installation and operating instructions. Work performed by unauthorized personnel or unauthorized service agencies voids this Warranty. This warranty does not apply to any warranty claims made on products sold or used outside of Canada

If you have any damaged, missing parts or concerns Please do not return to or contact the retailer. Please contact us directly at
info@htdcanada.ca
613-693-1806