

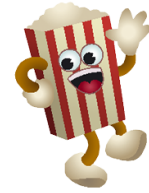


Canada Popcorn Company

**CENTERSTAGE PROFESSIONAL
8 OZ POPCORN MACHINE
USER MANUAL**

**HTD CANADA
Item #V573**

www.HTDCANADA.ca



8 OZ PROFESSIONAL POPCORN MACHINE

Safety Precautions

1. This manual will outline safety warnings and precautions, operating, maintenance and cleaning. The warnings and instructions reviewed in this manual cannot cover all possible conditions and situations that may occur. Factors such as caution and common sense cannot be built into this product and it is trusted the operator will follow these measures.
2. This popper must never be modified and should only be used for its intended purpose.
3. Always check that this popper is plugged into a grounded outlet with the appropriate electrical supply. Ensure that the wall outlet being used is properly grounded. If it is not, you must install a grounded outlet.
4. Before disconnecting from the power source, be sure that all switches have been turned OFF. To unplug the product, firmly grasp the plug and remove from the outlet – never pull on the cord itself.
5. Ensure that the power outlet, plug and cord being used are in good, working condition. Damaged components should be repaired or replaced. Even with a properly functioning power cord, keep water away from the cord and avoid letting your power cord run over carpets or heating devices.
6. If missing or broken components are found, leave the popper TURNED OFF. Do not attempt to use the popper. Contact HTD Canada at info@htdcanada.ca.
7. Never use in the presence of flammable liquids, gases, dust or other explosive situations should be avoided.
8. ALWAYS use oil when popping kernels; NEVER operate with a dry pot.
9. Never directly touch the pot when in use. Wear oven mitts or other protective gear when dumping popcorn, and be sure that all hot oil and water is contained; contact with skin can cause burns. Surfaces will be extremely hot during and after use, and should be allowed to cool before transporting or putting the unit in storage.
10. It is not recommended the machine be used outdoors exposed to elements such as rain or snow, unless covered or protected.
11. Manual cleaning required – unit and parts are not dishwasher safe, your pot/kettle should never be immersed in water and do not use any abrasive cleaning products.

8 oz. Popcorn Popper Specs

Item #	V573
Unit Dimensions	22"L x 16.5"W x 30"H
Capacity	8 oz.
Voltage	120V
Wattage	1664W

Popper Parts List

- A. Popcorn Machine
- B. Kettle
- C. 60 watt warming bulb
- D. Waste/Crumb tray



Operating Instructions

1. Before use, securely station the popper on a dry, level surface that is away from any water.
**Before first use, be sure to clean the popper's glass surfaces and wipe down the interior with a clean, damp sponge.
2. Ensure the pot/kettle is seated properly on the hanger in the up position and lift the lid to the roof magnet.
3. Plug the power cord into a properly grounded electrical outlet.
4. Turn the light and heater to the ON setting before adding oil to the pot. Only use oil with this popper. Liquid sugar or honey can cause damage to the pot, smoking, and even injury.
5. Turn on the Kettle switch and allow the kettle to preheat for 1-2 minutes, or until you see steam exiting the pot.
6. Add kernels into the pre-heated pot and drop lid onto the Pot/kettle. At this point, the Kettle WILL BE HOT. Use caution.
7. Turn on the stirrer switch and close the main unit's doors. Popcorn will begin popping after 2 to 3 minutes.
8. Once the popping ceases (3 to 5 seconds between pops) turn the stirrer and pot/kettle switch to OFF.
9. Gently turn the pot/kettle handle clockwise and pulling downwards to completely empty the contents of the pot.
10. At this point, only the spot light warmer should be switched to ON. This will keep your popcorn warm and dry until it is served.
11. Remove and serve popcorn with the scoops provided. If more butter or seasoning is desired, complete this step outside of the main unit in a separate bowl or container.
12. When finished, be sure to unplug the machine from its power supply.

Cleaning and Maintenance

**Once you are finished popping, unplug the power supply and allow ample time for the unit to cool. When removing the pot, use caution near the heat lamp bulb. It may still be hot.

** Clean the pot after every event.

FOR THE KETTLE

1. Turn off all switches after the final batch of popcorn is done.
2. For routine cleaning please use a damp cloth to wipe the excess oil from the interior and exterior of the kettle
3. For Kettle that may have an excess oil buildup that has carbonized or baked on please use one of our inside or outside kettle cleaner available at www.htdcanada.ca

FOR THE CABINET

With all switches off and the unit cooled, use a damp cloth to wipe the interior and exterior. Make sure your popper's glass stays clean and clear by using a standard window/glass cleaner. The stainless steel bottom tray, old maid drawer and drop door are removable for easy cleaning in a sink or dishwasher with a mild detergent and water

1 Year Parts Warranty

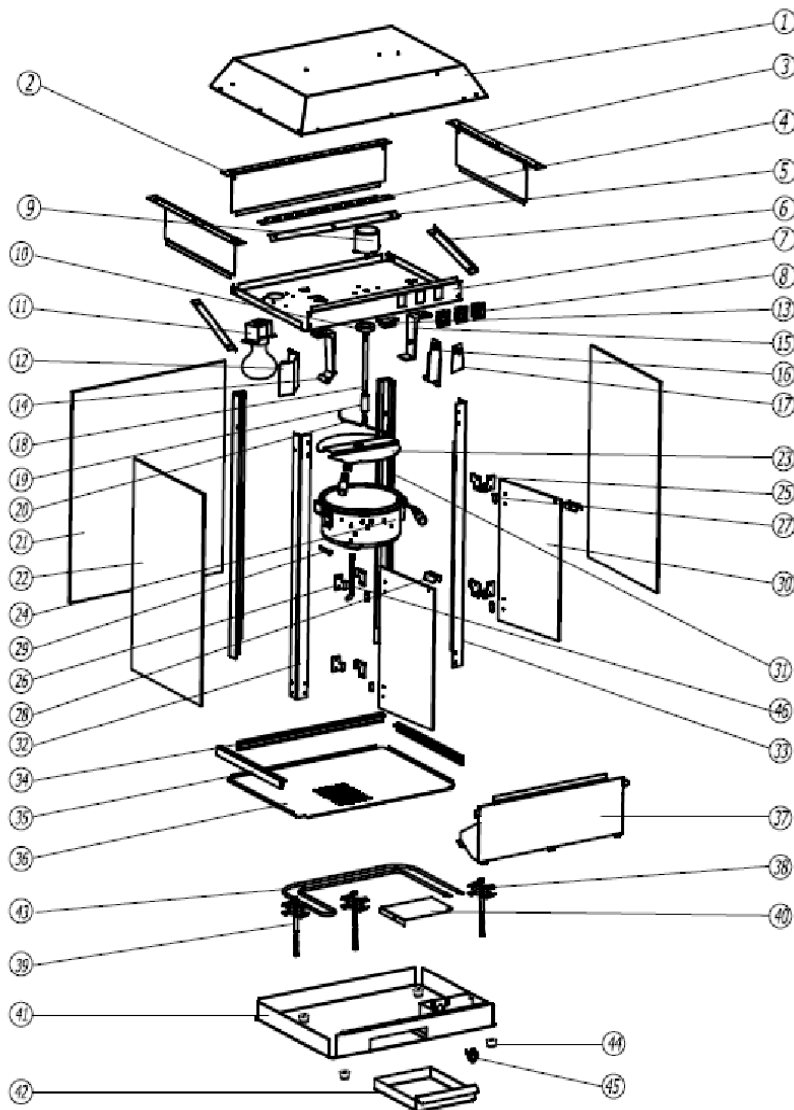
This warranty is not effective if damage occurs because of accident, carelessness, improper installation, lack of proper set-up, supervision when required, or if the equipment is installed or operated in any manner contrary to the installation and operating instructions. Work performed by unauthorized personnel or unauthorized service agencies voids this Warranty. This warranty does not apply to any warranty claims made on products sold or used outside of Canada.

If you have any damaged, missing parts or concerns Please do not return to or contact the retailer. Please contact us directly at

info@htdcanada.ca

613-693-1806

Parts List



- | NO. | Part Name |
|-----|---|
| 1 | Top Canopy |
| 2 | Back Panel |
| 3 | Left, Right Panel |
| 4 | Front Panel Bracket |
| 5 | Front Glass Wing |
| 6 | Side Glass Wing |
| 7 | Top Inside Panel |
| 8 | Switch |
| 9 | Motor 110V |
| 10 | Lid Magnet ring |
| 11 | Light Bulb & Base 60W |
| 12 | Light Bulb Cover |
| 13 | Door Magnet |
| 14 | Kettle Bracket Left |
| 15 | Kettle Bracket Right |
| 16 | Kettle Panel |
| 17 | Kettle Panel Support |
| 18 | Stir Rod Arm |
| 19 | Stir Rod Tube |
| 20 | Stir Rod |
| 21 | Back Glass |
| 22 | Left/Right Side Glass |
| 23 | Kettle Lid |
| 24 | Kettle Assembly |
| 25 | Right door Hinge |
| 26 | Left Door Hinge |
| 27 | Door Hinge Clamp |
| 28 | Door Handle |
| 29 | Kettle Hinge Pin |
| 30 | Right / Left Door (clarify when ordering) |
| 31 | Front Corner Post Aluminum Right |
| 32 | Back Corner Post Aluminum Left |
| 33 | Back Corner Aluminum |
| 34 | Back Glass Bracket |
| 35 | Left/Right Glass Bracket |
| 36 | Warming Deck |
| 37 | Drop Down Door |
| 38 | Warming Element Clamp |
| 39 | Warming Element Clamp Tube |
| 40 | Wire Box Cover |
| 41 | Machine Base |
| 42 | Old Maid / Kernel Tray |
| 43 | Warming Tray Element 300W |
| 44 | Rubber Feet |
| 45 | Warming Element Limiter |

Replacement Parts

No.	Part Item Number	Name
N/A	V573CART	Centerstage Cart for 8 oz. Popper
N/A	V573CORD	Power Cord
30	V573DOOR	Right / Left Door (clarify when ordering)
N/A	V573KELEM	Heating Element, Kettle; 1350W, 120V
9	V573MOTOR	Motor; 14W, 110V
18,19,20	V573STIR	Stir Rod
8	V573SWTCH	Switch
45	V573THRM	Hi-Limit Thermostat; Warming deck
N/A	V573HLKETTLE	Hi-Limit Thermostat; Kettle
43	V573WTELEM	Heating Tray Element; 300W, 120V
8,9, 15-20	V573KETTLE8	8 oz. Kettle Assembly